

SDR 984-72

Coraline Sliding Shower Door

The Coraline Collection by Aston, offers an extensive variety of Completely Frameless Sliding Shower Doors and Enclosures that are as beautiful as they are functional. All models are beautifully designed with 3/8 in. thick tempered glass and an innovative two-wheeled sliding operation, available with stainless steel, chrome or oil rubbed bronze hardware options. The Coraline collection is sure to deliver style and sleek sophistication to any residential or commercial installation. The Coraline collection features Shower Doors for 3-wall alcoves, Enclosures for 2-wall installations, which are available with an acrylic shower base as well as a Tub Door model. Coraline's variety of finishes and glass styles will create an upscale custom solution for any project.

- Premium Clear or Frosted 3/8" (10mm) tempered safety glass
- "Effortless Opening" 2-wheel roller system
- Engineered for left or right handed door installation
- Accommodates "Out of Plumb" openings of up to 1/4" per side
- Variable width – shower door, without base, width can be reduced up to 4"
- Full-length clear seals included
- Installation hardware included

CORALINE Collection

COMPLETELY FRAMELESS SLIDING SHOWER DOORS



STAINLESS STEEL



POLISHED CHROME



FROSTED GLASS



CLEAR GLASS



FRAMELESS

3/8 in.
(10 mm)
CERTIFIED
TEMPERED GLASS



CH CHROME
HARDWARE



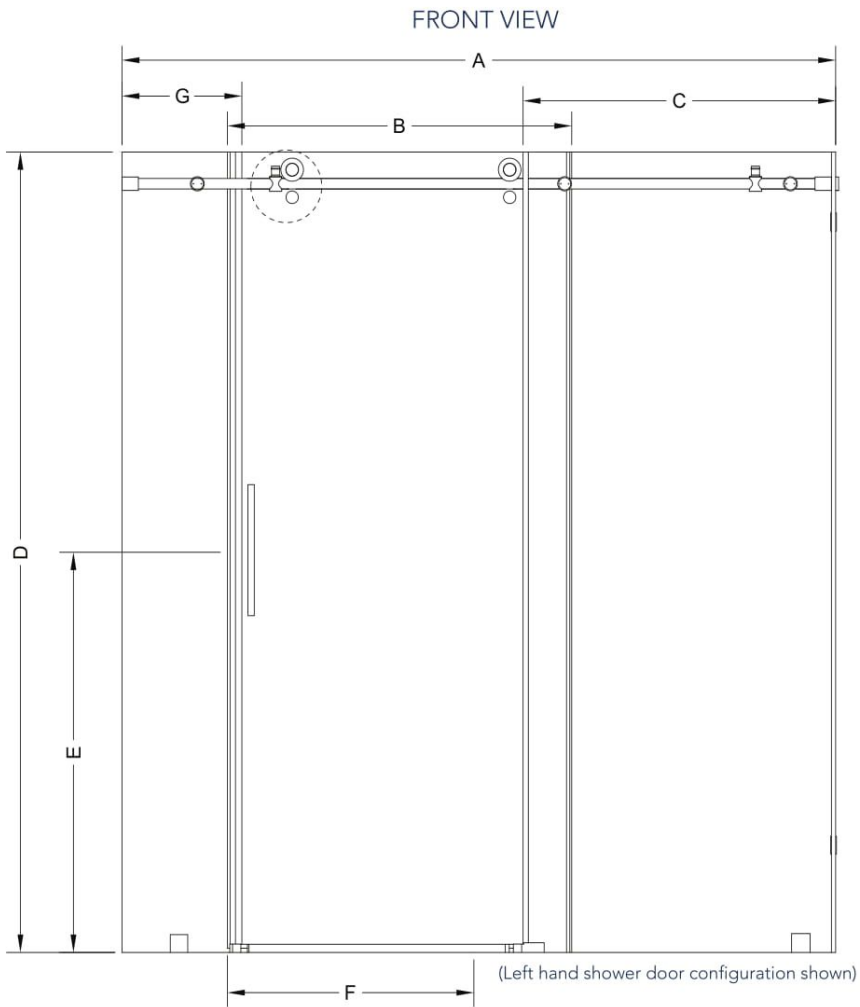
SS STAINLESS STEEL
HARDWARE



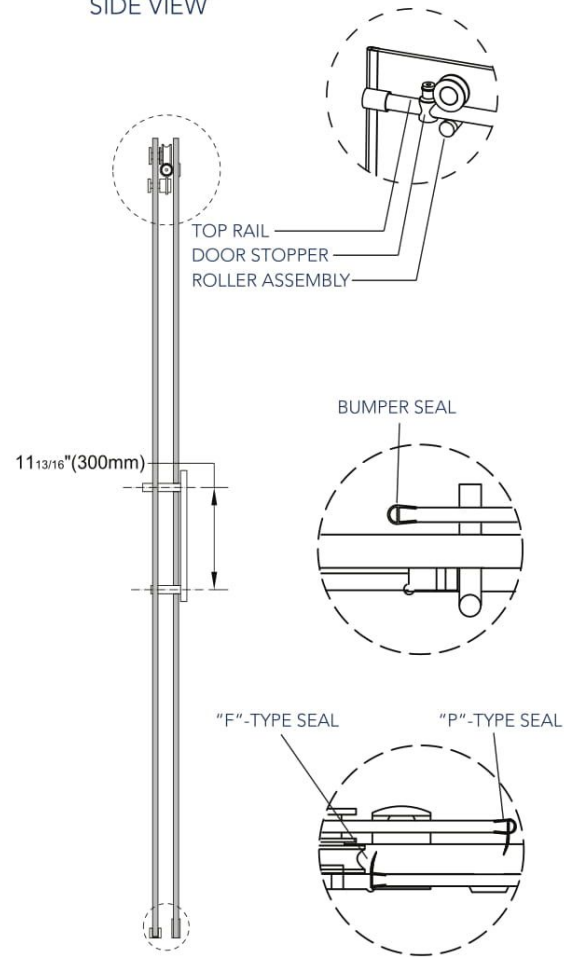
REVERSIBLE
DOOR

ASTON
ESCAPE THE EVERYDAY

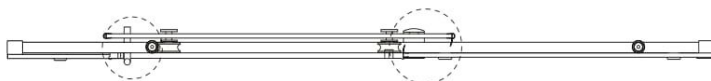
SDR 984-72 - Coraline Sliding Shower Door



SIDE VIEW



TOP VIEW



SDR 984 F - TR - CH - 72 - 10 - R

"SEN" ENCLOSURE
"SDR" SHOWER DOOR

MODEL NUMBER

"F" FROSTED
BLANK FOR CLEAR

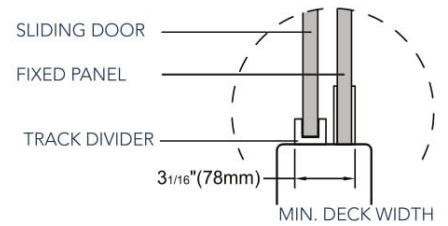
"TR" TRAY
BLANK FOR NO TRAY

"CH" CHROME
"SS" STAINLESS

WIDTH OF DOOR

"MM" THICKNESS OF GLASS

"L" OR "R" DRAIN LOCATION



MODEL	WALL OPENING (A)	DOOR PANEL (B)	FIXED PANEL (C)	HEIGHT (D)	HANDLE HEIGHT (E)	ENTRY OPENING (F)	FIXED PANEL (G)
SDR984-72-10	68 - 72"	32 ¹ / ₁₆ "	29 ¹ / ₂ "	75"	37 ¹ / ₂ "	22 ⁷ / ₈ - 26 ⁷ / ₈ "	13 ³ / ₈ "

MODEL	WALL OPENING (A)	HEIGHT (D)	HANDLE HEIGHT (E)	ENTRY OPENING (F)	BASE WIDTH	BASE LENGTH	BASE HEIGHT	DRAIN
SDR984-TR-72-10	72"	77 ¹ / ₂ "	37 ¹ / ₂ "	26 ⁷ / ₈ "	35"	72"	2 ¹ / ₂ "	L/R